



# **Challenger**

ACCESS EQUIPMENT (PTY) LTD

## GALILEO CT 16



## SPECIFICATIONS

- Ground to bottom of basket - 14.5 metre
- Working Height - 16.0 metre
- Max. Horizontal Reach - 8 metre
- Basket - 2 man
- Safe Working Load - 250 kg
- Rotation - 360°
- Power System - Diesel/Pto
- Controls - Hydraulic top & bottom
- Emergency Pump - Yes
- Insulated - None

## SAFETY

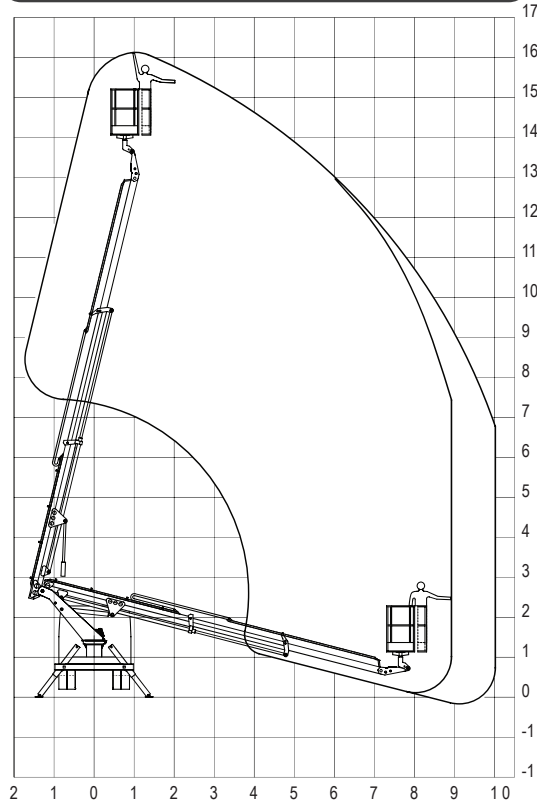
Robust design with interlocking outriggers, Dead Man controls, overload interlocking and in complete compliance with the South African National Standards 16368.



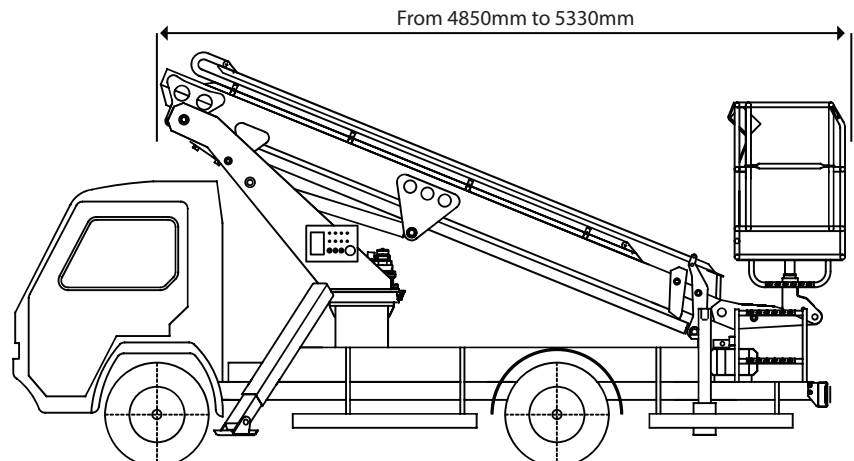
# Challenger

ACCESS EQUIPMENT (PTY) LTD

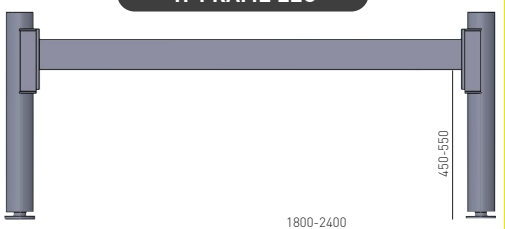
### WORKING FLIGHT ENVELOPE



### SIDE-VIEW



### H-FRAME LEG



### A-FRAME LEG

